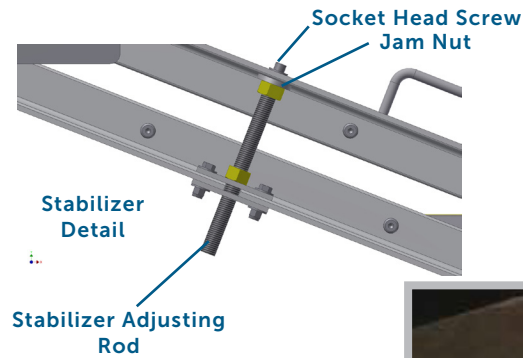


ADJUSTABLE STAIR

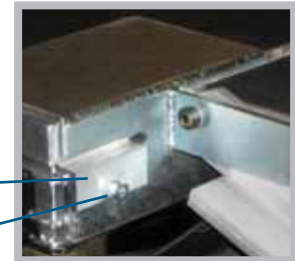
[SETUP INSTRUCTIONS]



Assembled Adjustable Stair



Stabilizer Detail



Attachment Clip
Socket Head Screw

Platform Attachment Detail

ADJUSTABLE STAIR ATTACHMENT:

1. With Adjustable Stair on floor, loosen **Jam Nuts**, by twisting counter-clockwise until approx. 1" gap is achieved between **Stair Frame** and **Jam Nuts**.

2. Referencing *Master Plan*, place Stair in location by placing both **Resting Plates** on top of Platform. (Note: Use **Lifting Handles** for transport of Adjustable Stair.)

3. Slide **Attachment Clip** into Channel of **Platform Extrusion** and tighten **Socket Head Screw** using 5/16" T-Handle (provided), rotating clockwise until snug.

4. Hand-tighten all **Jam Nuts** until snug against **Stair Frame** then tighten **Socket Head Screw** using 5/16" T-Handle (provided) until snug.



Handrail Leg

Handrail Cup

Resting Plates

Set-Screw



Handrail

Stair Frame

Lifting Handle

ADJUSTABLE STAIR HANDRAIL ATTACHMENT (IF PROVIDED):

1. Place **Handrail Legs** into Handrail Cups.

2. Tighten **Set-Screws** on **Handrail Cups** using 3/32" T-Handle (provided), rotating clockwise until snug.