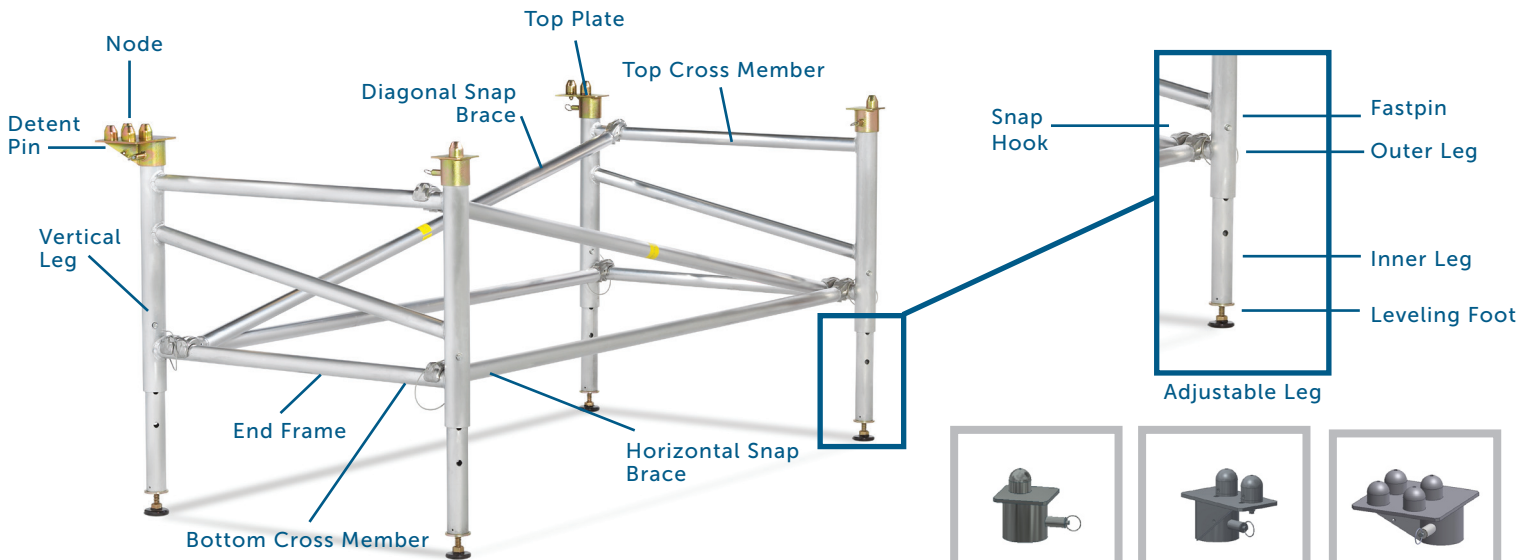


SC9600 BRIDGE SUPPORT

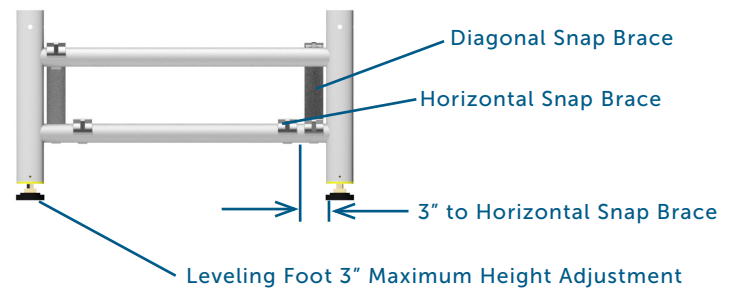
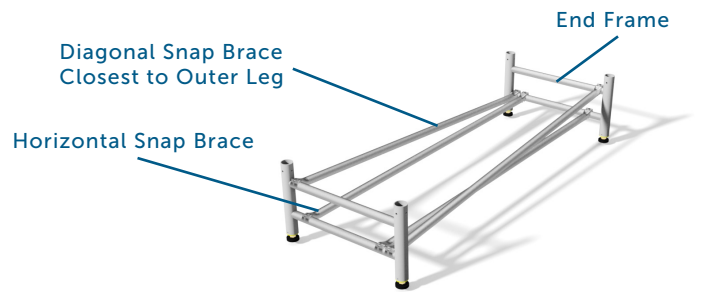
[SETUP INSTRUCTIONS]



SC900 BRIDGE SUPPORT INSTALLATION:

1. Per Master Plan provided, place SC9600 **End Frames** in approximate location. Note: Frames are color-coded per layout drawing.
2. Attach **Horizontal Snap Braces** to **Bottom Cross Member** on **End Frame**, ensuring edge of **Snap Hooks** are 3" from **Vertical Legs**.
3. Attach **Diagonal Snap Braces** from **Bottom Cross Member** of opposite **End Frame**, as close as possible to **Vertical Legs**.
4. For **Adjustable Legs** (if provided), telescope **Inner Leg** to desired height by removing **Fastpin**.
5. Place **Top Plates** on each **Vertical Leg** (see layout drawing for locations and orientations).
6. Proceed to **SC90 Platform** Setup Instructions.

WARNING: Leveling Foot 3" Maximum Height Adjustment.





WARNING

Leveling Foot 3" Maximum Height Adjustment




Staging Concepts does not assume liability for any damage done to products or persons during the setup of this equipment. For questions about setup or to consult with Staging Concepts on your project, please call 763.533.2094.