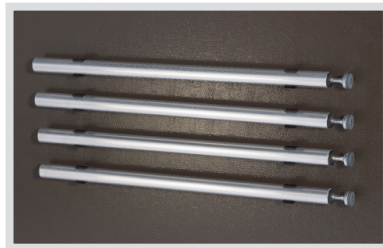


SC90 PLATFORM

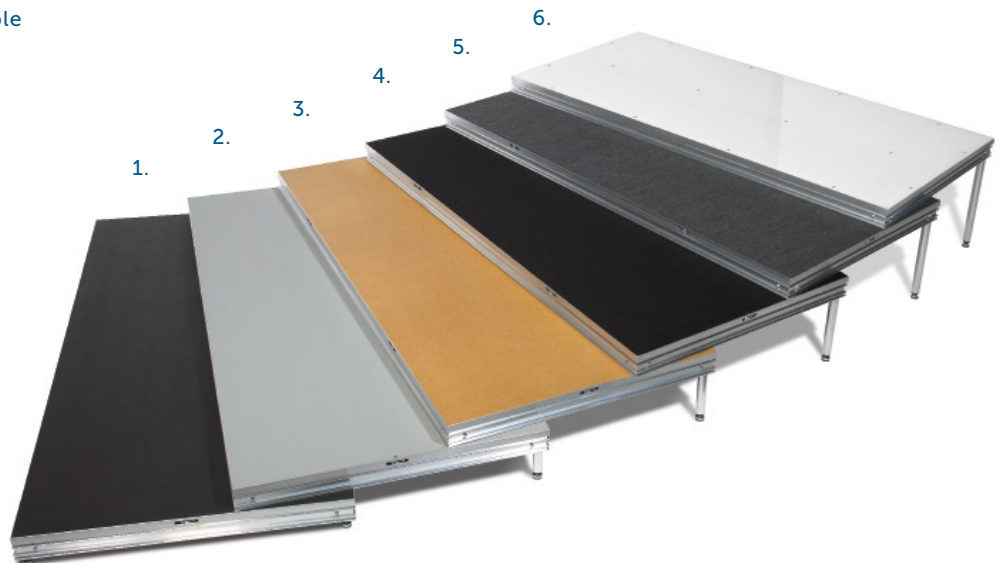
The SC90 Platform – the cornerstone of Staging Concepts’ equipment line – is the best value in the industry. It is well-known throughout the world for its strength and durability. The SC90 Platform is constructed with an extruded aluminum frame that is combined with a sturdy 1” thick marine grade plywood substrate with an aluminum backer that provides a Class A fire rating. The SC90 is available in standard and custom sizes for both indoor and outdoor use. Standard sizes include 4’ x 8’ (1.22 m x 2.44 m), 4’ x 6’ (1.22 m x 1.83 m), 4’ x 4’ (1.22 m x 1.22 m), 3’ x 8’ (.91 m x 2.44 m), 3’ x 6’ (.91 m x 1.83 m) and 2’ x 8’ (.61 m x 2.44 m). A full line of accessories is available, as well as the multiple surface options as shown below.



SC90 Underside’s Optional Leg Storage

SC90 Platform/Decks are available in the following surface options:

1. Poly Vinyl – black
2. Poly Vinyl – gray
3. Plyron – tempered hardboard
4. Carpet – black
5. Carpet – gray
6. Acrylic – opaque (clear acrylic also available)



SC90 PLATFORM

ADVANTAGES

Strength

- Constructed with 1" (25 mm) thick marine grade plywood substrate containing virtually zero voids
- Engineered to support 150 lbs/square foot of uniformly distributed live load
- Class A fire rating provided by aluminum skin backer on platforms with poly vinyl surface
- Top locking Roto-Locks provide monolithic floor when platforms are locked together

Durability & Efficiency

- Platform only needs support in four corners for quick setup
- Patented aluminum extrusion allows for guardrail, step unit, closure panel, chair stop, and skirting clip attachment – with no loose parts
- Platforms easily handled by two people
- For use with all of Staging Concepts' supports

Variety

- Multiple surface options available: Poly vinyl (black or gray), commercial grade carpet (black or gray), unfinished plywood, painted plywood (black), Plyron (tempered hardboard), acrylic (clear or opaque)
- Patented aluminum extrusion allows for guardrail, step unit, closure panel, chair stop, and skirting clip attachment – with no loose parts
- Platforms easily handled by two people
- For use with all of Staging Concepts' supports

Field Repairability

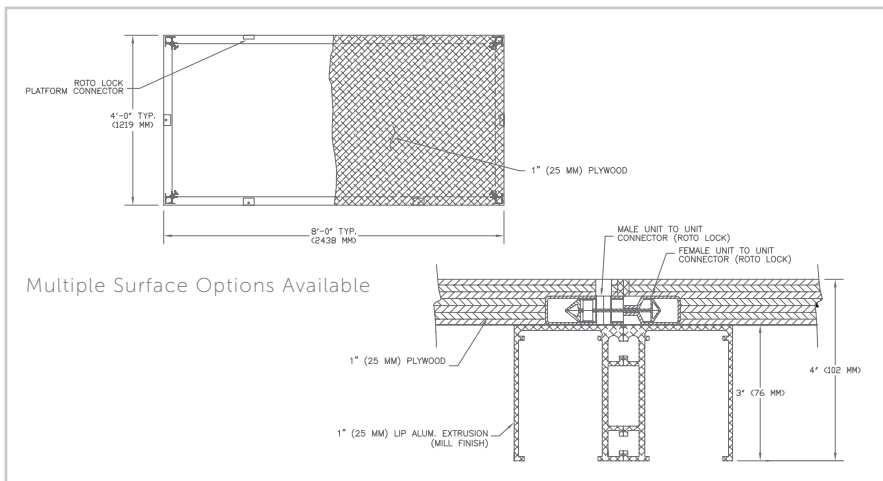
- For those unavoidable accidents, repair/replace only damaged part of platform (platform surface lid, side of extrusion, corner piece, etc.) – no need to replace entire platform
- Repair on-site – no need to send back to factory for repairs

TECHNICAL SPECIFICATIONS

The SC90 Platform is a single side, indoor and outdoor, weather-resistant, portable platform. Platform is designed to be fully field repairable, to function with all Staging Concepts' supports, and to comply with the following:

- Edging: 4" (101.6 mm) high, extruded 6005-T5 aluminum frame, including protective edge, mill finish. Design frame to accept:
 - Built in Roto-Lock system
 - Structural locking clip system Guardrail
 - Chair stops
 - Closure panels
 - Step units
 - Skirting clips
- Subfloor: 1" (25.4 mm) marine grade exterior rated, group 1 plywood
 - Finished surfaces: Poly vinyl (black or gray), commercial grade carpet (black or gray), unfinished plywood, painted plywood (black), Plyron (tempered hard board), acrylic (clear or opaque)
 - Tongue and groove hardwood surface available upon request (specify wood species)
- Platform will support 150 lbs/square foot of uniformly distributed live load

SC90 PLATFORM SCHEMATICS



DIMENSIONS, WEIGHTS, AND FINISH OPTIONS

4' x 8' (1.22 m x 2.44 m) (lbs/kg)

Poly Vinyl Surface (black or gray)	141/64
Carpet Surface (black or gray)	141/64
Unfinished Plywood Surface	141/64
Painted Plywood Surface	141/64
Plyron Surface	158/71.7
Acrylic Surface	245/111.1

4' x 6' (1.22 m x 1.83 m) (lbs/kg)

Poly Vinyl Surface (black or gray)	110/49.9
Carpet Surface (black or gray)	110/49.9
Unfinished Plywood Surface	110/49.9
Painted Plywood Surface	110/49.9
Plyron Surface	122/55.3
Acrylic Surface	235/106.6

4' x 4' (1.22 m x 1.22 m) (lbs/kg)

Poly Vinyl Surface (black or gray)	78/35.4
Carpet Surface (black or gray)	78/35.4
Unfinished Plywood Surface	78/35.4
Painted Plywood Surface	78/35.4
Plyron Surface	86/34.9
Acrylic Surface	133/60.3

3' x 8' (0.92 m x 2.44 m) (lbs/kg)

Poly Vinyl Surface (black or gray)	111/50.3
Carpet Surface (black or gray)	111/50.3
Unfinished Plywood Surface	111/50.3
Painted Plywood Surface	111/50.3
Plyron Surface	125/56.7
Acrylic Surface	190/86.2

3' x 6' (0.92 m x 1.83 m) (lbs/kg)

Poly Vinyl Surface (black or gray)	86/39
Carpet Surface (black or gray)	86/39
Unfinished Plywood Surface	86/39
Painted Plywood Surface	86/39
Plyron Surface	97/44
Acrylic Surface	151/68.5

2' x 8' (0.61 m x 2.44 m) (lbs/kg)

Poly Vinyl Surface (black or gray)	83/37.6
Carpet Surface (black or gray)	83/37.6
Unfinished Plywood Surface	83/37.6
Painted Plywood Surface	83/37.6
Plyron Surface	93/42.2
Acrylic Surface	128/58.1

3.28' x 6.56' (1 m x 2 m) (lbs/kg)

Poly Vinyl Surface (black or gray)	99/44.9
Carpet Surface (black or gray)	99/44.9
Unfinished Plywood Surface	99/44.9
Painted Plywood Surface	99/44.9
Plyron Surface	112/50.8
Acrylic Surface	177/80.3

**Custom sizes and surfaces are available upon request*

Aluminum Frame Options:

Mill finish, Powder coat finish (black or silver), Anodized finish (black or clear)