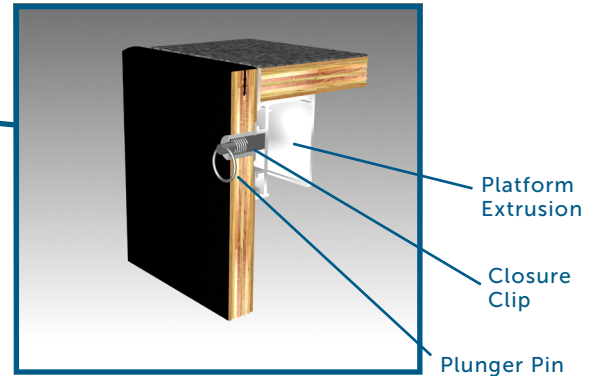


SC90 CLOSURE PANELS AND SKIRTING

[SETUP INSTRUCTIONS]



Assembled Closure Panels



Closure- Section View

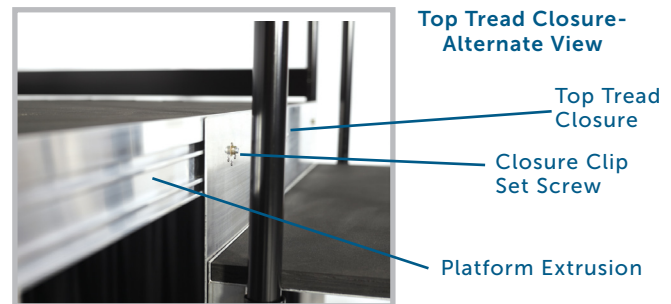
SC90 CLOSURE PANEL INSTALLATION:

1. Reference *Master Plan* for Closure Panel locations. Labels are stenciled on rear side of Closure Panel.
2. Align the Closure Panel flush with the top of the platform. Pull the **Plunger Pins** (simultaneously) and place the **Closure Clips** into the **Platform Extrusion**, releasing **Plunger Pins** once Closure Panel is centered on platform.

3. To remove Closure Panel, pull the **Plunger Pins** (simultaneously) and remove **Closure Clips** from **Platform Extrusion**.



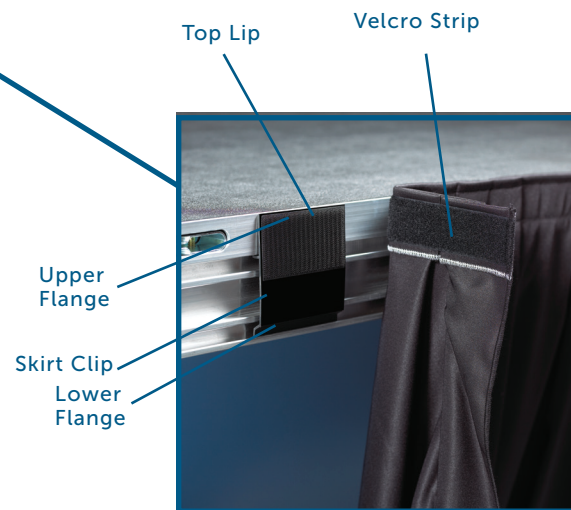
Assembled Skirting



Top Tread Closure- Alternate View

SKIRTING INSTALLATION:

1. Reference *Master Plan* for Skirting locations.
2. Install **Skirt Clips** approximately 24" center to center.
 - a. Place **Lower Flange** of **Skirt Clip** into bottom channel of **Platform Extrusion**.
 - b. Compress **Skirt Clip** by pressing on **Top Lip** of **Skirt Clip** until the **Upper Flange** snaps into upper channel of **Platform Extrusion**.
 - c. To remove **Skirt Clips**, place index fingers into center channel of **Platform Extrusion** and pull outwards while pressing inward on **Top Lip** with thumbs.



Skirting Attachment Detail