

SC9000 EZ STAGE

The SC9000 EZ Stage is a mobile, durable, compact stage that can be simply folded up and easily rolled into storage units wheels by just one person. When folded, the portable EZ Stage can be tucked away into a minimal storage space and conveniently retrieved and set up at a moments notice – without any tools. The platform is simple to unfold from storage position and convert to stage configuration because of a series of linkages that are designed to transfer each half of the stage, from casters to steel legs, in two fluid movements. The stage platform is available in a dimension of 6' x 8' x 2' (W x L x H) when set up, yet folds vertically to 2-1/2' wide.



EZ Stage



EZ Stage in Half Set-Up Position



EZ Stage in Storage Position

SC9000 EZ STAGE

ADVANTAGES

Efficiency

- Operable by one person for opening, closing and rolling
- A series of linkages are designed to transfer each half of the stage from casters to steel legs – saving setup time
- Unique folding mechanism allows the riser to be setup without the use of any tools, levers, buttons, switches, pins, or latches

Durability

- Steel framing enhances the durability of the riser, providing a rigid, quality product for years to come

Mobility

- The assembly is lifted, not pivoted, onto casters as it is closed, providing a smooth operation from storage position to stage configuration
- Outer legs automatically rotate to a vertical position as the unit is opened/lowered

Safety

- Rounded platform corners eliminate sharp exterior edges
- Linkage components are placed in locations to prevent pinching
- Automatic latching mechanism prevents platforms from unfolding during storage

Mobility

- Choose from a variety of stage surface finishes and colors to meet your staging needs
- Surface options: Carpet, poly vinyl, unfinished plywood, painted plywood

TECHNICAL SPECIFICATIONS

The SC9000 EZ Stage features the following:

- Decking: 3/4" (19 mm) Marinetech plywood
- Decking surface: Carpet, poly vinyl, unfinished plywood, painted plywood
- Frame: 1" x 2" (24 mm x 51 mm) 14 gauge steel tube
- Deck Perimeter: Aluminum angle
- Casters: (4) Heavy-duty 4" (102 mm) diameter non-locking swivel casters, with load rating of 700 lbs (317.5 kg)

DIMENSIONS, WEIGHTS, AND FINISH OPTIONS

Surface Finish Options:

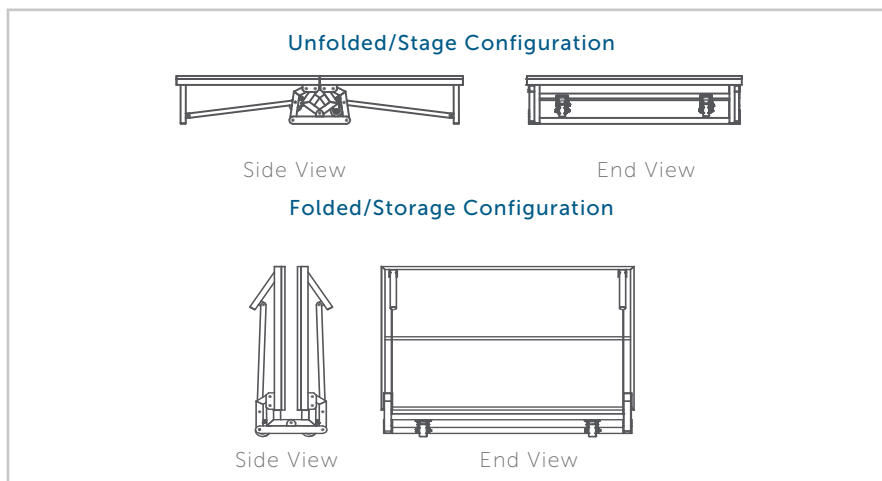
1. Carpet
2. Poly vinyl
3. Unfinished plywood
4. Painted plywood

6' x 8' (1.83 m x 2.44 m) EZ Stage

Description: (lbs/kg)

24" (610 mm) Fixed Height 352/159.7
Folded Dimensions:
 72" L x 30" W x 64" H
 (1829 mm x 762 mm x 1626 mm)

SC9000 EZ STAGE SCHEMATICS



Surface Finish Options:

1. Carpet
2. Poly vinyl
3. Unfinished plywood
4. Painted plywood